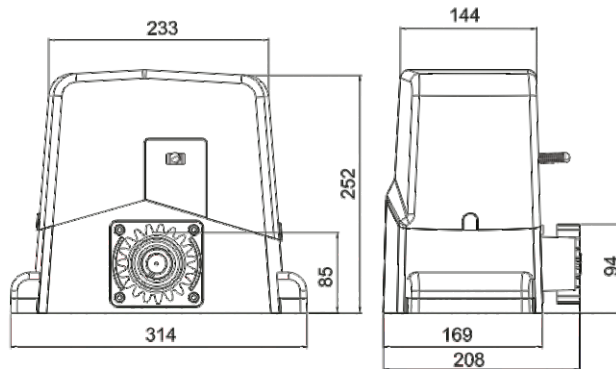
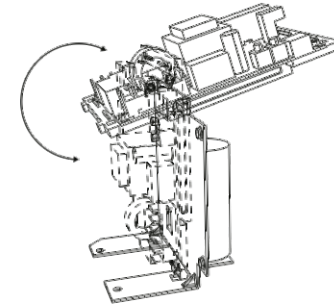


• VSR 1000

SLIDING GATE MOTOR (VSR SERIES)



Item No.	VSR 1000
Power Supply	AC220V/AC110V
Torque	27N.M
Motor Speed	1440RPM
Gate Speed	12m/min
Max. Gate Weight	1000Kg
Noise	≤56dB
Limited Switch Option	Spring Limit Switch
Thermal Protection Temperature	135°C
Working Cycle	40%
Working Temperature	-45°C~+65°C
IP Class	IP44